

Embutido de Teto

ANDROMEDA G

Articulado



ÂNGULO
15°

ÂNGULO
36°

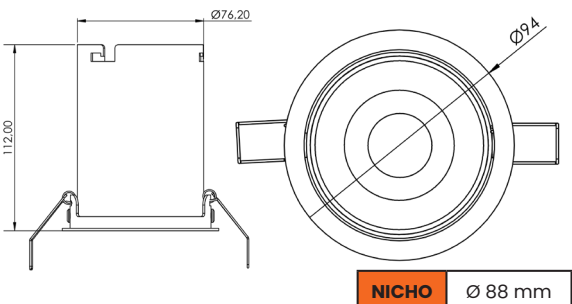
ÂNGULO
50°



DRIVER DIMERIZÁVEL

DALI | TRIAC | 0 - 10

Sob consulta



NICHO Ø 88 mm

Imagens meramente ilustrativas

Dimensões em milímetros

CÓDIGO	POTÊNCIA	FLUXO LUMINOSO	TEMPERATURA DE COR
ET03PL27PO008	17,4W	2332 lm	2700 K
ET03PL30PO001	17,4W	2437 lm	3000 K
ET03PL40PO001	17,4W	2512 lm	4000 K
ET03PL27PO006	21,2W	2746 lm	2700 K
ET03PL30PO002	21,2W	2870 lm	3000 K
ET03PL40PO002	21,2W	2958 lm	4000 K
ET03PL27PO053	23,2W	2947 lm	2700 K
ET03PL30PO054	23,2W	3081 lm	3000 K
ET03PL40PO053	23,2W	3176 lm	4000 K
ET03PL27PO004	25,2W	3145 lm	2700 K
ET03PL30PO003	25,2W	3288 lm	3000 K
ET03PL40PO003	25,2W	3389 lm	4000 K
ET03PL27PO010	29,3W	3531 lm	2700 K
ET03PL30PO004	29,3W	3691 lm	3000 K
ET03PL40PO004	29,3W	3805 lm	4000 K
ET03PL27PO063	31,3W	3720 lm	2700 K
ET03PL30PO064	31,3W	3888 lm	3000 K
ET03PL40PO063	31,3W	4007 lm	4000 K
ET03PL27PO009	33,4W	3905 lm	2700 K
ET03PL30PO005	33,4W	4081 lm	3000 K
ET03PL40PO005	33,4W	4207 lm	4000 K
IRC >80			

CÓDIGO	POTÊNCIA	FLUXO LUMINOSO	TEMPERATURA DE COR
ET03PL27PO001	17,4W	1926 lm	2700 K
ET03PL30PO006	17,4W	2013 lm	3000 K
ET03PL40PO006	17,4W	2074 lm	4000 K
ET03PL27PO002	21,2W	2269 lm	2700 K
ET03PL30PO007	21,2W	2370 lm	3000 K
ET03PL40PO007	21,2W	2443 lm	4000 K
ET03PL27PO054	23,2W	2435 lm	2700 K
ET03PL30PO055	23,2W	2544 lm	3000 K
ET03PL40PO054	23,2W	2622 lm	4000 K
ET03PL27PO003	25,2W	2599 lm	2700 K
ET03PL30PO008	25,2W	2715 lm	3000 K
ET03PL40PO008	25,2W	2798 lm	4000 K
ET03PL27PO005	29,3W	2918 lm	2700 K
ET03PL30PO009	29,3W	3049 lm	3000 K
ET03PL40PO009	29,3W	3141 lm	4000 K
ET03PL27PO064	31,3W	3073 lm	2700 K
ET03PL30PO065	31,3W	3211 lm	3000 K
ET03PL40PO064	31,3W	3309 lm	4000 K
ET03PL27PO007	33,4W	3226 lm	2700 K
ET03PL30PO010	33,4W	3371 lm	3000 K
ET03PL40PO010	33,4W	3473 lm	4000 K
IRC >90			